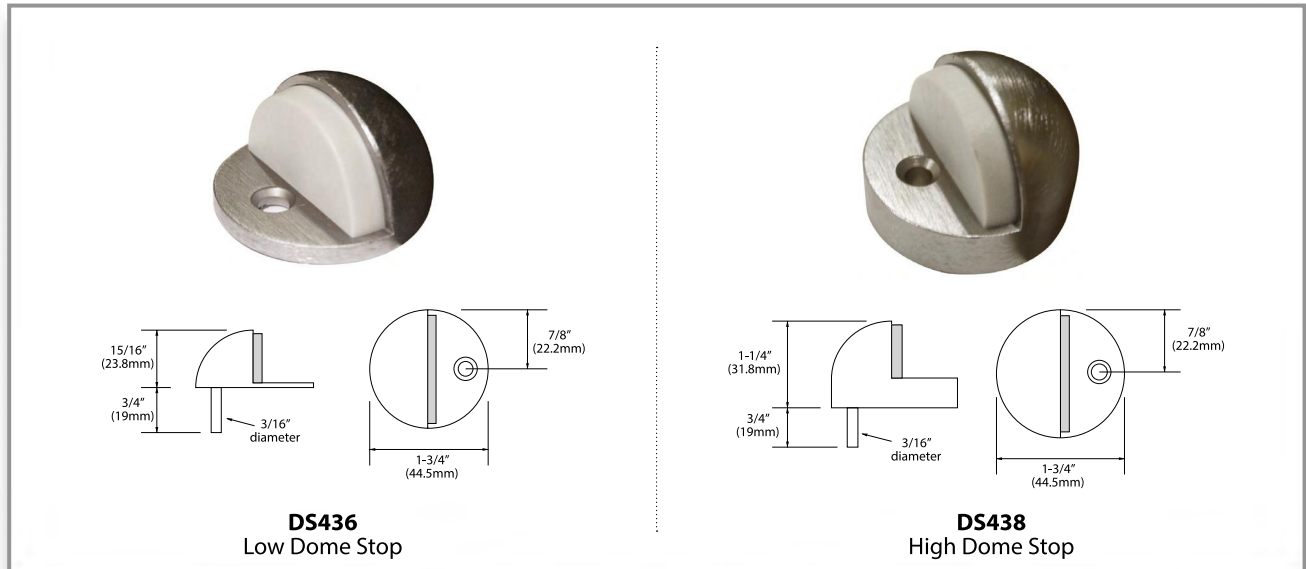


## Door Stops

DS436 and DS438



### Features

- DS436 - 1/4" Rise x 1 Low Dome Stop
- DS438 - 1/2" Rise x 1-1/4" High Dome Stop
- Material: cast brass or stainless steel
- DS436BR - ANSI L12141
- DS438BR - ANSI L12161
- DS436SS - ANSI L52141
- DS438SS - ANSI L52161
- Stops Individually wrapped with mounting screws

### Finishes

Stocking: US26D (626) Satin Chrome

Special Order:

- US32D (630) Satin Stainless Steel
- US3 (605) Bright Brass
- US4 (606) Satin Brass
- US10B (613) Oil Rubbed Bronze
- US26 (625) Bright Chrome

### Warranty

3 Year Warranty

### Specifications

Stops and holders shall be INOX<sup>®</sup> model number D5436 or D5438. All stops to be provided with steel phillips sheet metal screws plated to match finish. Each stop shall be individually wrapped with mounting screws.

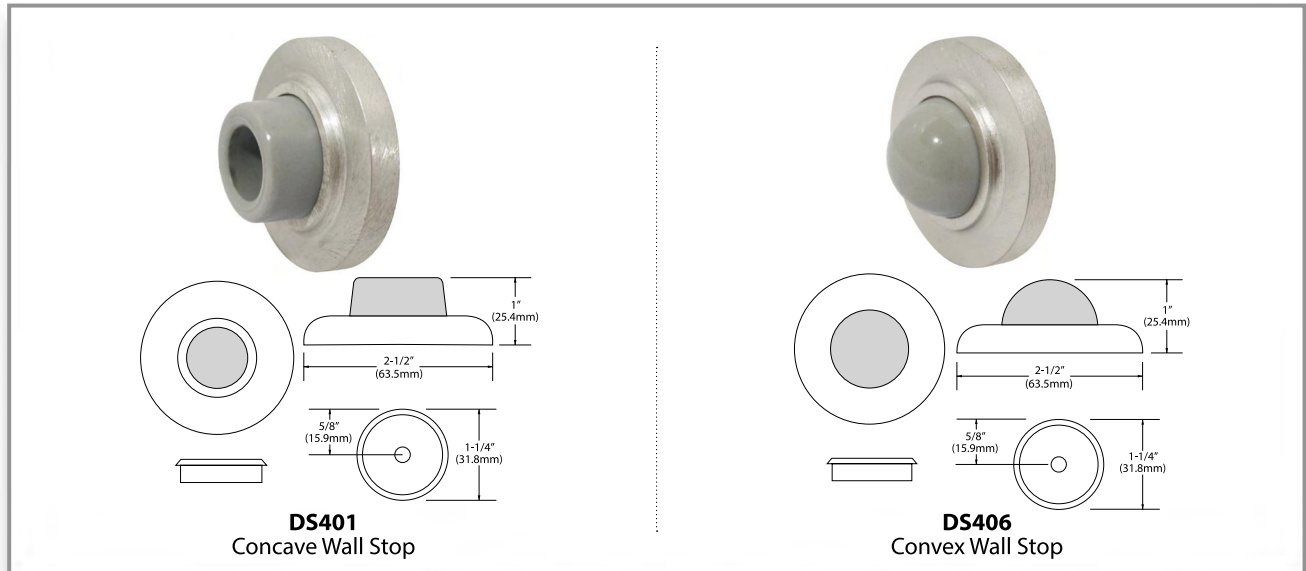
### Code Compliance



- ANSI 156.16 - L12141, L12161, L52141, L52161
- C-UBC - California Amended Uniform Builders Code
- NFPA 80 - National Fire Protection Association
- NFPA-101 National Fire Protection. - Life Safety

## Door Stop / Wall Bumpers

DS401 and DS406



### Features

- DS401 - Concave Door Stops, Wall Mount
- DS406 - Convex Door Stops, Wall Mount
- Material: Cast Brass or Wrought Stainless Steel
- DS401BR - ANSI L12101
- DS406BR - ANSI L52101
- DS401SS - ANSI L12251
- DS406SS - ANSI L52251
- Stops Individually wrapped with mounting screws

### Finishes

- Stocking: US26D (626) Satin Chrome  
 Special Order:
- US32D (630) Satin Stainless Steel
  - US3 (605) Bright Brass
  - US4 (606) Satin Brass
  - US10B (613) Oil Rubbed Bronze
  - US26 (625) Bright Chrome

### Warranty

3 Year Warranty

### Specifications

Stops shall be by INOX® model number DS401 or DS406 and made of pressure cast zinc. All stops to be provided with steel phillips sheet metal screws plated to match finish. Each stop shall be individually wrapped with mounting screws.

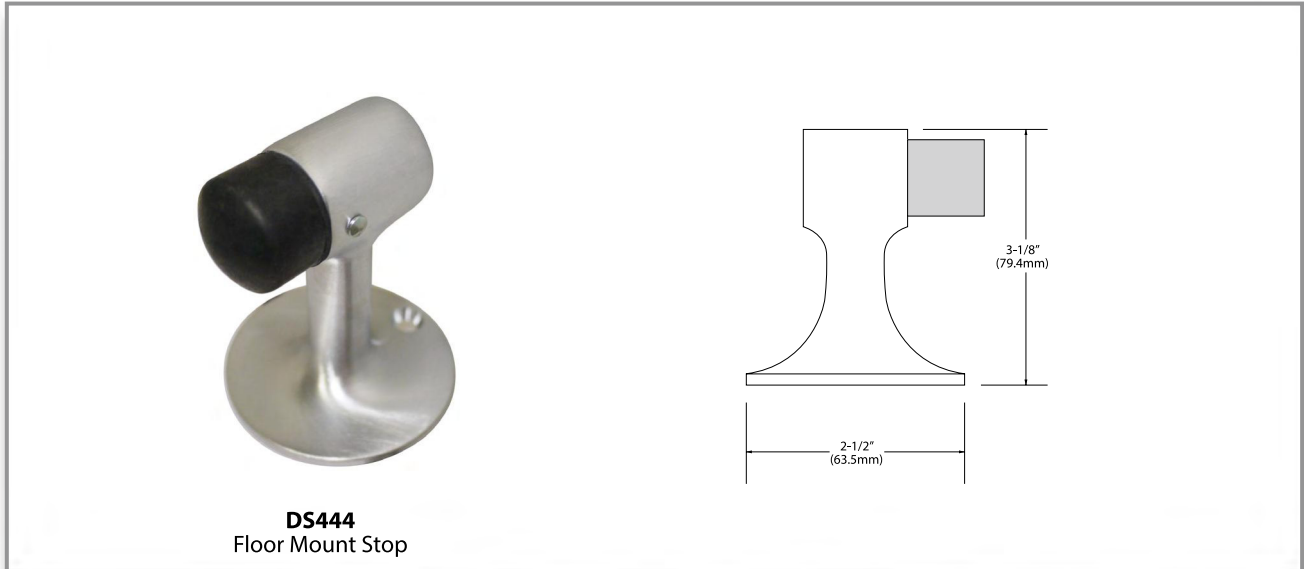
### Code Compliance



- ANSI 156.16 - L12101, L12251, L52101, L52251
- C-UBC - California Amended Uniform Builders Code
- NFPA 80 - National Fire Protection Association
- NFPA-101 National Fire Protection - Life Safety

**Door Stop, Floor Mount**

DS444

**Features**

- DS444 - ANSI L12131 - 3-1/8" High Door Stops, Floor Mount
- Material: Stainless Steel
- Stops Individually wrapped with mounting screws

**Specifications**

Stops shall be by INOX<sup>®</sup> model number DS444 and made from solid cast brass. All stops to be provided with steel phillips sheet metal screws plated to match finish. Each stop shall be individually wrapped with mounting screws.

**Finishes**

Stocking: US26D (626) Satin Chrome

Special Order:

- US32D (630) Satin Stainless Steel
- US3 (605) Bright Brass
- US4 (606) Satin Brass
- US10B (613) Oil Rubbed Bronze
- US26 (625) Bright Chrome

**Code Compliance**

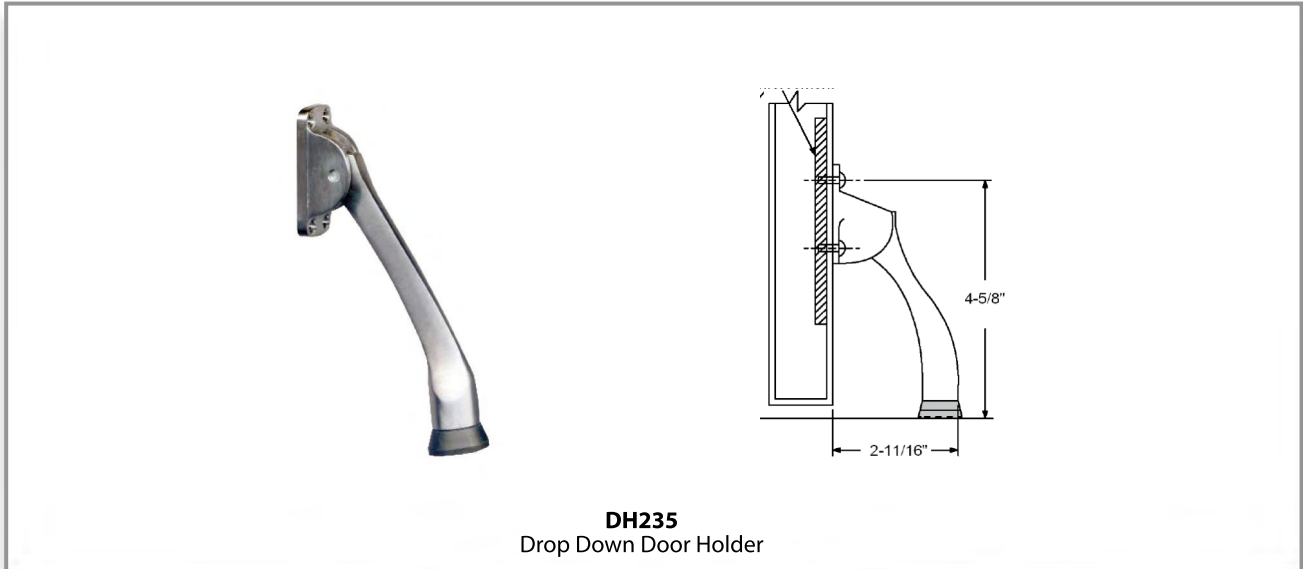
- A156.16 - L12131
- Fed Spec # 1328E
- C-UBC - California Amended Uniform Builders Code
- NFPA 80 - National Fire Protection Association
- NFPA-101 National Fire Protection. - Life Safety

**Warranty**

3 Year Warranty

## Door Holders

DH235



**DH235**  
Drop Down Door Holder

### Features

- ANSI L11382
- DH235 - 5" Cast Brass Holder
- Stops Individually wrapped with mounting screws
- Polybagged 4 sheet metal screws

### Specifications

Door holders shall be by INOX® model number DH235, 5" cast brass. All holders to be provided with steel phillips sheet metal screws plated to match finish. Each door holder shall be individually wrapped with mounting screws.

### Finishes

- Stocking: US26D (626) Satin Chrome  
Special Order:
- US3 (605) Bright Brass
  - US4 (606) Satin Brass
  - US10B (613) Oil Rubbed Bronze

### Code Compliance



- ANSI A156.16 - L11382
- NFPA 80 - National Fire Protection Association
- NFPA-101 National Fire Protection. - Life Safety

### Warranty

3 Year Warranty